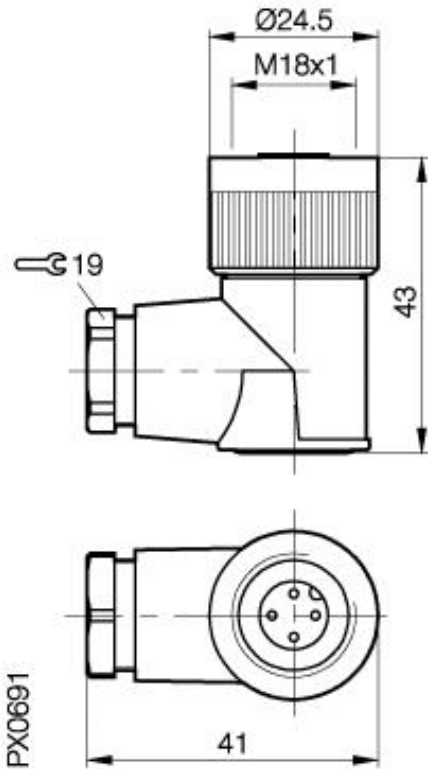


Accessories: Connectors BKS-S 7-1



Common Data

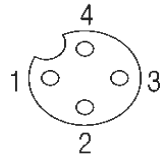
| | |
|------------------------|---|
| Version | Connector, right angle, 4-pin |
| Usable with | on Sensors with connection S7 (DC, M18) |
| Manufacturer | Binder |
| Ambient temperature | -40°C...+85°C |
| Function display | no |
| Supply voltage display | no |

Mechanical Data

| | |
|--------------------------------|------------------------|
| Measurements WxHxD or Dia x D | 43x41x24,5 |
| Material | Housing PBTP GV sw |
| Protection class per IEC 60529 | IP65 |
| Cable version | for user assembly |
| Conductor cross section | max.1,5mm ² |

Electrical Data

| | |
|----------------|--------|
| Supply voltage | 250VAC |
|----------------|--------|



Datasheet number::

Definitions see general catalog.
If not otherwise noted, ratings according to
IEC 60947-5-2 (DIN EN60947-5-2)

Balluff GmbH
Schurwaldstrasse 9
73765 Neuhausen a.d.F.
Phone (07158) 173-0 Fax (07158) 5010

Datenblatt by CD-ROM - 04/2007

BALLUFF
sensors worldwide